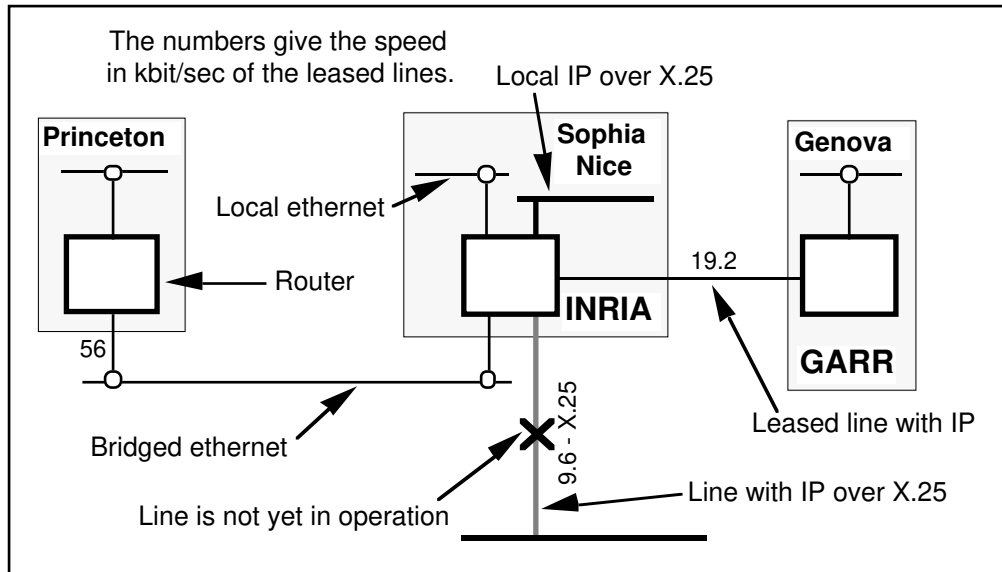


Legend to the RIPE European IP Inventory – Abbreviations

Abbreviation	Country	Organisation, Town
BelWü	DE	Baden-Württemberg Extended Lan
CEA	FR	Commissariat à l'Énergie Atomique
CERN		Organisation Européenne pour la Recherche Nucléaire, Geneva
CIEMAT	ES	
CNUSC	FR	Centre National Universitaire Sud de Calcul, Montpellier
CWI	NL	Centrum voor Wiskunde en Informatica, Amsterdam
DENet	DK	Danish Ethernet Network
DESY	DE	Deutsches Elektronen Synchrotron, Hamburg
DFN	DE	Deutsches Forschungsnetz
DIST	IT	University of Genova
EASInet		European Academic Supercomputer Initiative
ESnet	US	Energy Science Network
EUNet		European UNIX Network
EurOpen		European Forum or Open Systems (formerly known as EUUG)
FGAN	DE	Forschungsgesellschaft f. Angew. Naturwissenschaften, Wachtberg
FNAL	US	Fermi National Accelerator Laboratories
FORTH	GR	Foundation of Research and Technology, Hellas
FUNET	FI	Finnish University Network
GARR	IT	Gruppo Armonizzazione Reti della Ricerca
GMD	DE	Gesellschaft für Mathematik und Datenverarbeitung
ILAN	IL	Israeli Academic Network
INRIA	FR	Institut National de Recherche en Informatique et Automatique
IN2P3	FR	Institut National de Physique Nucléaire et Physique des Particules, Lyon
IPP	DE	Max Planck Institut für Plasmaphysik, Garching
IRIS	ES	Spanish Academic & Research Network
IXI		International X.25 Infrastructure
JvNCnet	US	John von Neumann Supercomputer Center Consortium Network, Princeton
K. U. Leuven	BE	Katholieke Universiteit Leuven
LAPP	FR	
NIKHEF	NL	National Institute for Nuclear and High-Energy Physics
NORDUnet		Nordic Research and Development network
NORSAR	NO	
NSFNET	US	National Science Foundation Network
NTA	NO	Norwegian Telecommunications Administration
NYSERNet	US	New York State Educational Research Network
RAL	GB	Rutherford Appleton Laboratory
RIPE		Réseau IP Européenne
RSRE	GB	Royal Signals Research Establishment, Malvern
SARA	NL	Academic Computer Services Amsterdam
SDAC	US	
STC	NL	SHAPE Technical Center
SUNET	SE	Swedish University Network
Sura	US	
SURFnet	NL	Dutch higher Educational and Research Network
SURIS	IS	Association of Research Networks in Iceland
SWITCH	CH	Swiss Telecommunication System for higher Education and Research
TAU	IL	Tel Aviv University
UCL	GB	University College London, London
UKC	GB	University of Kent at Canterbury, Canterbury
ULCC	GB	University of London Computer Center, London
UNIDO	DE	Universität Dortmund, Dortmund
UNINETT	NO	University Network
UUNET	US	
WIN	DE	Wissenschafts Netz
XLINK	DE	eXtended Lokales Informatik Netz Karlsruhe

Legend to the RIPE European IP Inventory – Pictures

Legend to the “Speed-Map”



Legend to the “Netnum-Map”

